

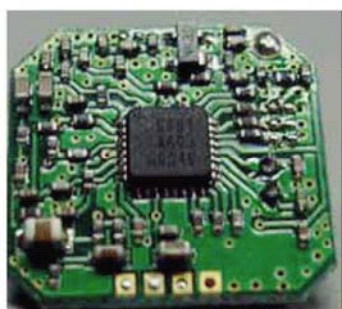
WONDCAM INNOVATION LIMITED

WIRELESS AUDIO VIDEO Transmission MODULE

CUSTOMER: _____

PRODUCT : 2.4GHz Wireless AV Transmission Module

MODEL NO: WO-TRM01



客戶承認簽印 CUSTOMER APPROVED BY	核准 APPROVE	主管 CHIEF	承辦 RESPONSIBLE

WONDCAM INNOVATION LIMITED

Tel: +86-755-81227150

Fax: +86-755-29732860

Address: 24F YU TING JU GUO ZHAN YUAN BU JIE TOWN SHENZHEN CHINA.

Mail: Sales@wondcam.com

1 Application

1.1 This specification applies to VIDEO-RF modulator with sound subcarrier processing signals.

1.2 RF transmission frequency group :

Ch1— 2414MHz

Ch2— 2432MHz

Ch3— 2450MHz

Ch4— 2468MHz

1.3 Modulation type : FM

2 Mechanical Specification

Please refer to Figure 1.

3 Environmental Specification

3.1 Temperature -10°C ~ +60°C

4 Test Condition

4.1 Ambient temperature : 25°C

4.2 Video input voltage : 1.0Vp-p,150 (IRE)

4.3 Audio input voltage : 1.0Vp-p sine wave signal 1KHz

5 Electrical Characteristics

5.1 DC Characteristics

5.1.1 DC Characteristics

1 Supply Voltage 5 V_{DC}

2 Current Consumption 85 mA

5.2 Video Characteristics						
1	Input Impedance	75	75		• •	
2	Peak Deviation	1.2	1.2		MHz	MOD=sine wave 400KHz 1Vp-p

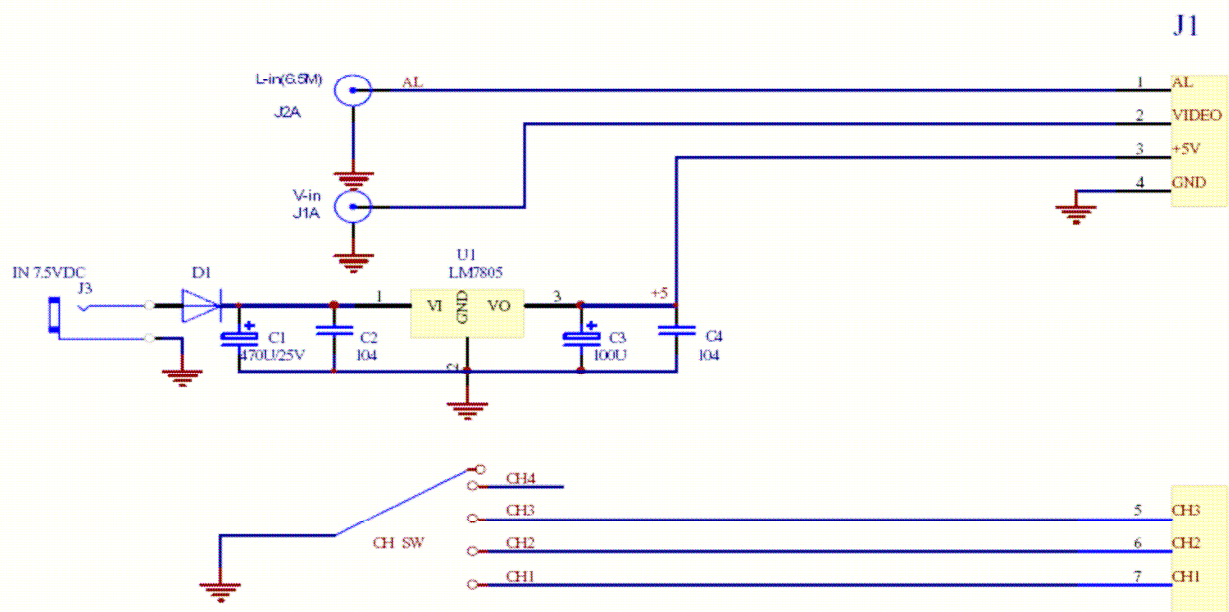
No.	Item	Specifications			Unit	Test Condition
		Min.	Typ.	Max.		
5.3 Audio Characteristics						
1	Input Impedance		10		K• •	
2	Peak Deviation		12		KHz	1Vp-p (1KHz)
3	Pre-emphasis		50		• sec	

5.4.2 Output Characteristic						
1	Tx Power		17		dBm	
2	Audio subcarrier Level	-23	-25	-27	dBc	Video and Audio Index
3	Audio Subcarrier Freq. NCY	L	6470	6500	6530	KHz

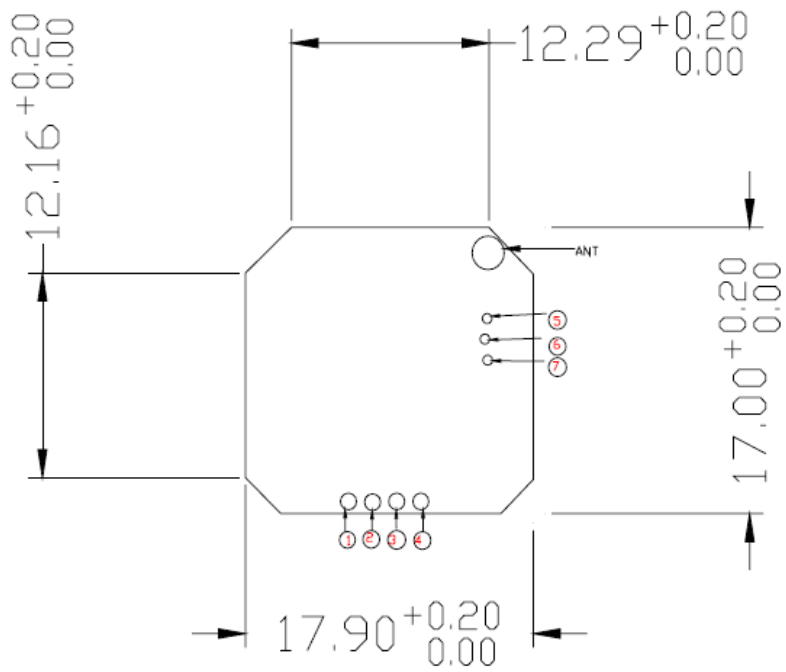
6 Pin Assignment

J1 Pin No.	Slide Mode
1	Audio L(6.5M)
2	Video
3	Vcc(DC+5V)
4	GND
5	CH3
6	CH2
7	CH1

7 Transmitter Application Circuit



8. Module Tx Dimension



脚位:

1:AUDIO(6.5M)

2:VIDEO

3:VCC(+5V)

4:GND

5:CH3

6:CH2

7:CH1

5.6.7 脚悬空时为CH4